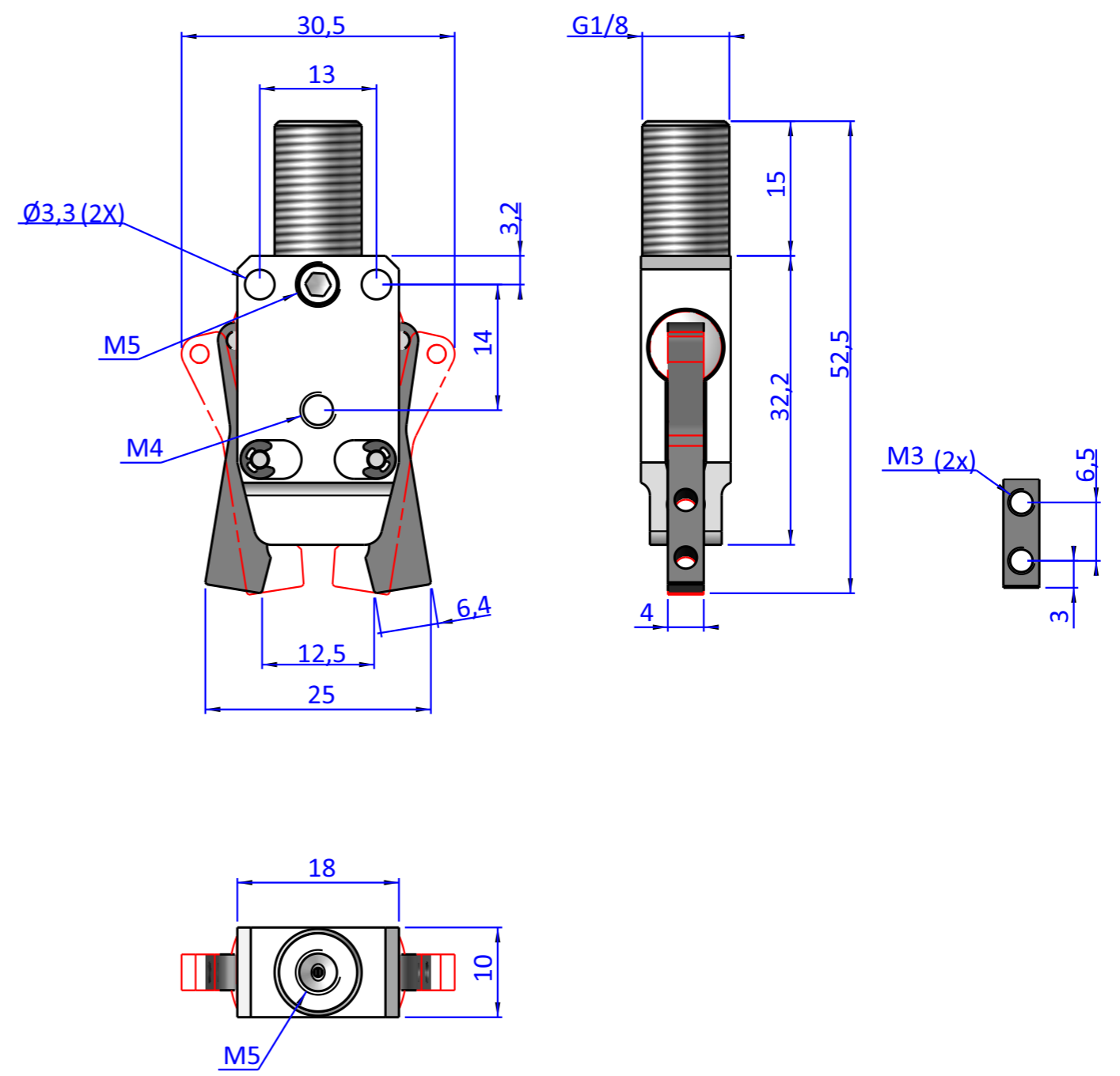
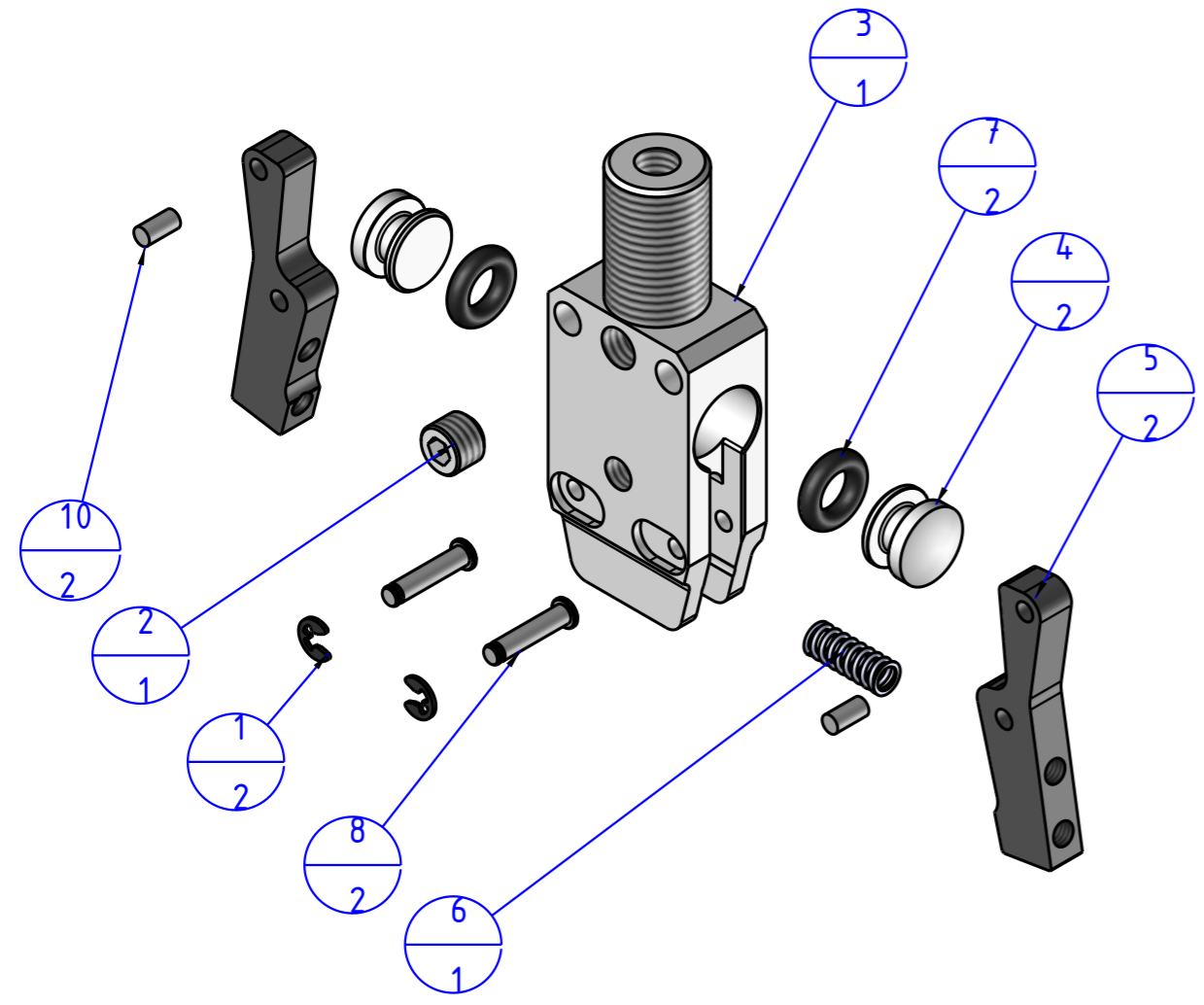



THE PROPERTY OF THE DRAWING IS ESTABLISHED BY LAW. IT IS FORBIDDEN TO PRODUCE OR SHOW IT TO THIRD PARTY WITHOUT A WRITTEN AGREEMENT.

Item	Name	Q.ty
1	A.ELA.RA1.5	2
2	GR.5X4	1
3	GZA.10.08.1.18	1
4	GZA.10.08.2	2
5	GZA.10.08.4	2
6	M.MP13X3.5D.5	1
7	ORM.4x2	2
8	SP.2x10SS	2
10	GZA.10.08.9	2



Format A3  
UNI 936-76

 <b>FPS</b> FPSERVICES AUTOMATION		DESIGNED FROM		REVIEW
		FPS Automation		A
GENERAL TOLERANCE		DATE	WEIGHT	
UNI - ISO 2768		30/04/2020	0,015kg	
CLASSE f		DESCRIPTION	CODE	
		CA.GZA.10.08.18C	CA.GZA.10.08.18C	